

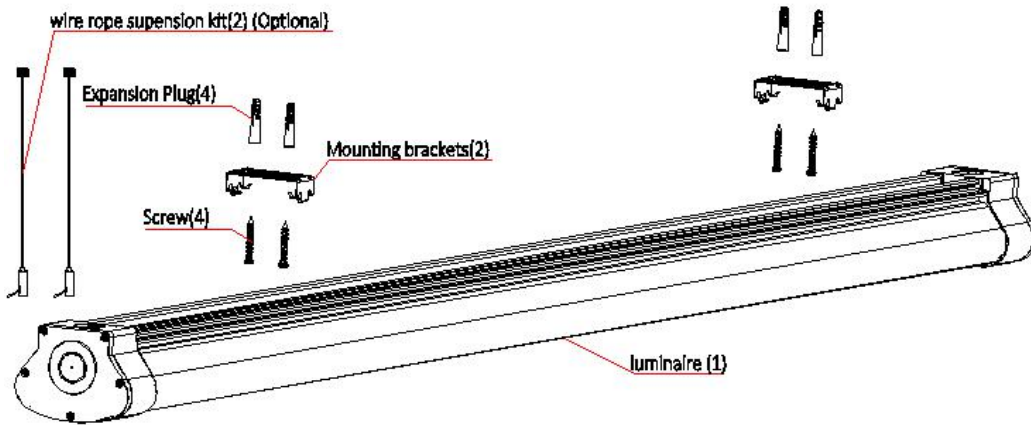
LED Vapor Tight/Linear Fixture Luminaries

Installation Guide

! Warning:

- Turn power off before inspection, installation or removal.
- Properly ground electrical enclosure
- Make sure all install firmly.
- Use only UL approved wire for input/output connections, Minimum size 18 AWG

Components Included:



Installation A: Surface Mounting Option

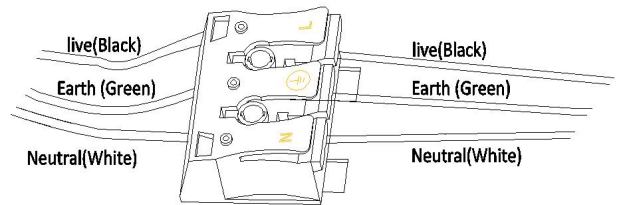
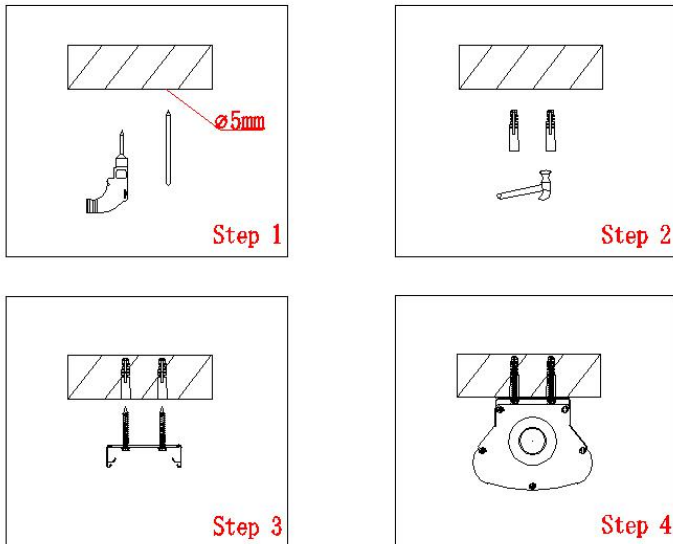


Figure 1

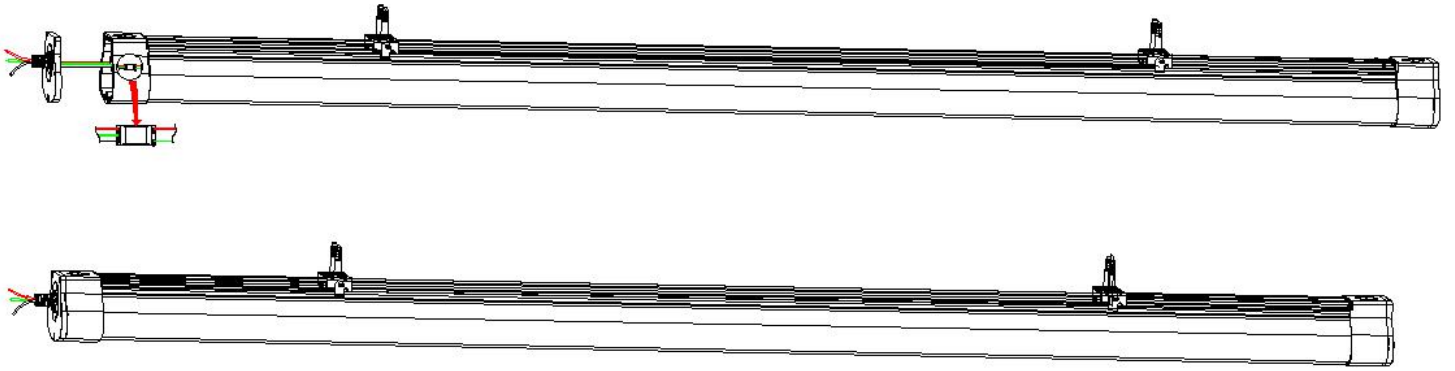
Electrical Wiring: the luminaries can wiring on the back and each side .

Step1:open the cover other side by remove the side screw.

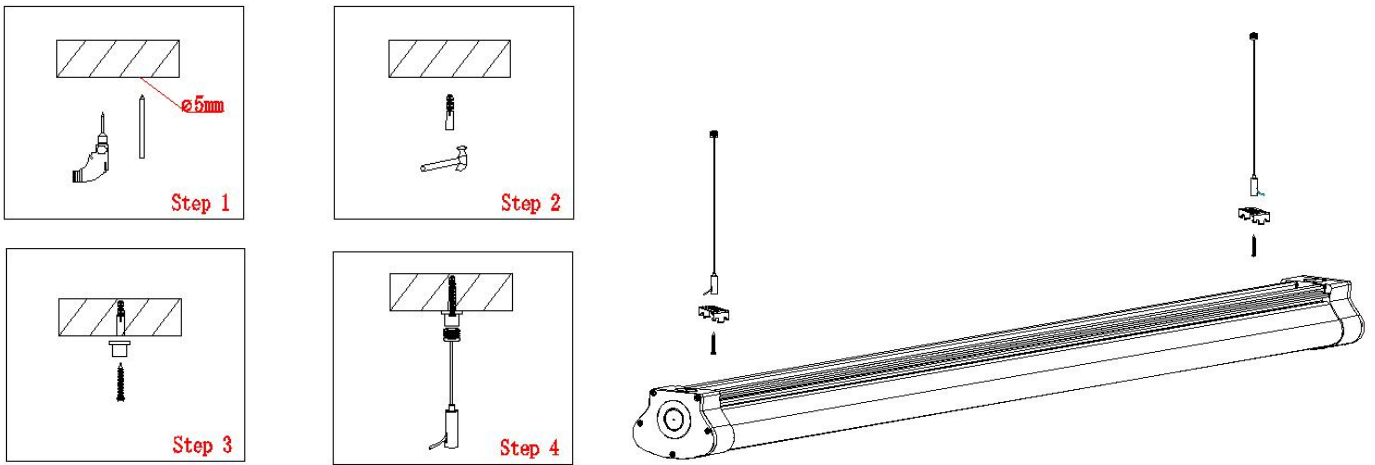
Step2:drill the hole one the plastic cover as the size as the circles 7/8In (22mm)OD.

Step3:Connect the wire to the connector inside , Connect a rigid conduit or flexible conduit or strain relief and feed the AC line wire through the fitting. Confirm the wire connect right See figure 1.

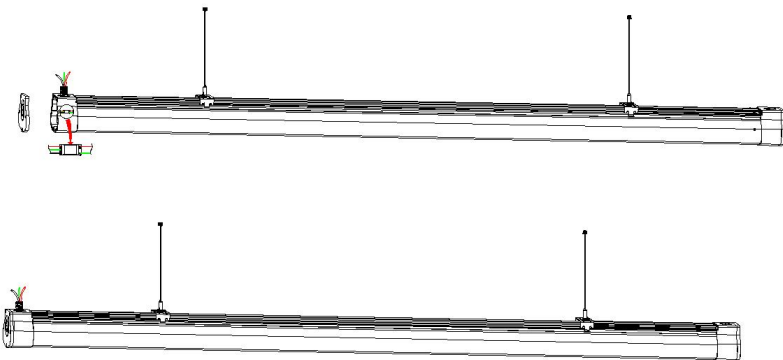
Step4:close the plastic cove side.



Installation B: Suspended Mounting Option



Wiring diagram:



Continuous installation (Connect 10 units max):

